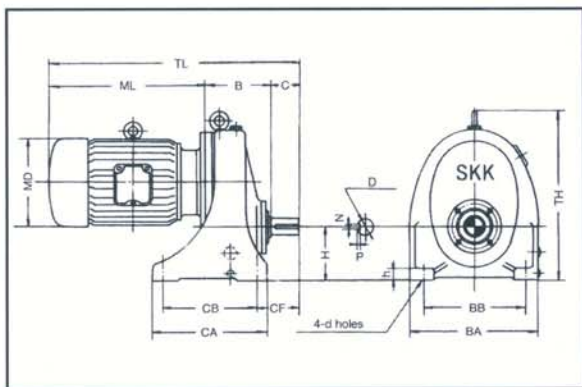
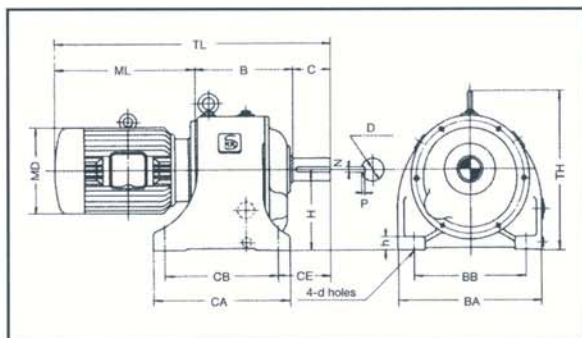


AF Gearmotor Dimensions

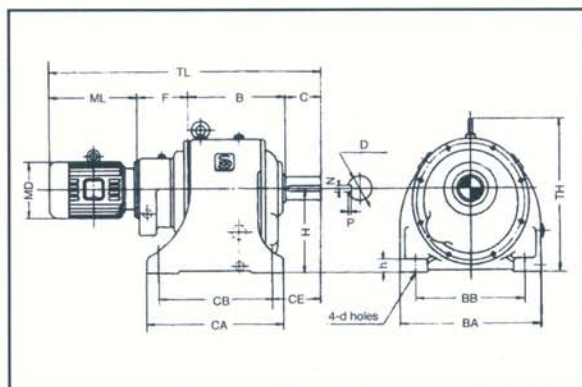
AF Single Reduction (S)



AF Double Reduction (D)



AF Quadruple Reduction (DD)



Single Reduction (S)

Frame	ML ₁	MD	TL	TH ₂	Wt. (lb.)
143-20S	11	8	17 ⁵ / ₈	10 ¹ / ₃₂	79
145-25S	11 ³ / ₃₂	8	19 ⁷ / ₃₂	11 ⁹ / ₁₆	120
182-30S	12 ¹⁵ / ₁₆	9 ¹ / ₂	21 ³ / ₈	13 ¹⁵ / ₁₆	188
184-35S	14 ³ / ₃₂	9 ¹ / ₂	23 ¹³ / ₃₂	14 ¹³ / ₁₆	209
213-40S	18 ⁹ / ₃₂	11 ³ / ₁₆	28 ¹³ / ₃₂	18 ¹ / ₁₆	278
215-45S	18 ⁹ / ₃₂	11 ³ / ₁₆	29 ³ / ₃₂	18 ² / ₃₂	352
254-50S	24 ⁹ / ₁₆	14 ⁹ / ₁₆	36 ¹ / ₂	20 ¹⁹ / ₃₂	440
256-60S	25 ¹³ / ₃₂	14 ⁵ / ₁₆	38 ¹⁵ / ₃₂	22 ¹ / ₄	591
286-65S	24 ⁷ / ₃₂	14 ³ / ₈	38 ¹ / ₈	24 ¹³ / ₃₂	877

Double Reduction (D)

Frame	ML ₁	MD	TL	TH ₂	Wt. (lb.)
143-30D	11	8	19 ⁹ / ₃₂	9 ⁹ / ₁₆	89
143-35D	11	8	20 ⁹ / ₁₆	10 ¹ / ₁₆	111
145-35D	11 ³ / ₃₂	8	21 ⁹ / ₁₆	10 ¹ / ₁₆	131
145-45D	11 ³ / ₃₂	8	22 ² / ₃₂	11 ³ / ₃₂	159
182-35D	12 ¹⁵ / ₁₆	9 ¹ / ₂	23 ³ / ₈	11 ³ / ₄	188
182-45D	12 ¹⁵ / ₁₆	9 ¹ / ₂	23 ¹⁹ / ₁₆	12 ¹⁷ / ₃₂	201
182-50D	12 ¹⁵ / ₁₆	9 ¹ / ₂	25 ⁹ / ₃₂	13 ²⁹ / ₃₂	240
184-45D	14 ³ / ₃₂	9 ¹ / ₂	25 ¹⁷ / ₃₂	12 ¹⁷ / ₃₂	204
184-50D	14 ³ / ₃₂	9 ¹ / ₂	26 ³ / ₈	13 ²⁹ / ₃₂	239
184-55D	14 ³ / ₃₂	9 ¹ / ₂	27 ²³ / ₃₂	15 ¹⁵ / ₃₂	291
213-50D	18 ⁹ / ₃₂	11 ³ / ₁₆	30 ¹⁵ / ₁₆	15 ¹³ / ₃₂	282
213-55D	18 ⁹ / ₃₂	11 ³ / ₁₆	31 ¹⁵ / ₁₆	16 ³ / ₈	331
213-65D	18 ⁹ / ₃₂	11 ³ / ₁₆	33 ¹ / ₃₂	17 ³ / ₈	402
215-55D	18 ⁹ / ₃₂	11 ³ / ₁₆	32 ¹ / ₃₂	16 ³ / ₈	363
215-65D	18 ⁹ / ₃₂	11 ³ / ₁₆	33 ³ / ₃₂	17 ³ / ₈	429
215-75D	18 ⁹ / ₃₂	11 ³ / ₁₆	35 ¹ / ₈	19 ³ / ₃₂	509
254-65D	24 ⁹ / ₁₆	14 ⁹ / ₁₆	40	18 ¹ / ₃₂	476
254-75D	24 ⁹ / ₁₆	14 ⁵ / ₁₆	41 ¹ / ₃₂	19 ⁷ / ₃₂	547
254-80D	24 ⁹ / ₁₆	14 ⁵ / ₁₆	43 ¹³ / ₃₂	20 ⁷ / ₈	747
256-75D	25 ¹³ / ₃₂	14 ⁹ / ₁₆	42 ¹ / ₂	19 ⁷ / ₃₂	614
256-80D	25 ¹³ / ₃₂	14 ⁵ / ₁₆	44 ³ / ₁₆	20 ⁷ / ₈	678
256-90D	25 ¹³ / ₃₂	14 ⁵ / ₁₆	46 ¹ / ₈	23 ¹ / ₁₆	862
286-80D	24 ⁵ / ₈	14 ³ / ₈	42 ³ / ₄	20 ⁷ / ₈	908
286-90D	24 ⁷ / ₃₂	14 ³ / ₈	44 ⁹ / ₃₂	23 ¹ / ₁₆	1048
286-100D	24 ⁷ / ₃₂	14 ³ / ₈	46 ² / ₃₂	26 ⁹ / ₁₆	1323

Total Height Reduction with Lifting Eyebolt Removed

If height is critical, eyebolt can be removed after installation. Subtract the following from dimension TH:

Sizes 35 to 45D 1 1/4"
Sizes 50 to 65D 1 5/8"
Size 75D 1 7/8"
Size 80D 1 9/8"
Size 90D 2"
Size 100D 2 3/4"

In a few cases the reductions above are not achievable because the motor, with its eyebolt removed, will be slightly higher than the gearbox. Consult Hampton if exact details are required.

For AFV dimensions, consult Hampton PT

Single Reduction (S)

Frame	B	C	CA	CB	CE	BA	BB	H ₂	h	d	D	N	P
20S	4 ⁹ / ₁₆	1 ⁹ / ₁₆	7 ¹⁵ / ₃₂	6 ⁹ / ₁₆	2 ⁹ / ₈	7 ⁷ / ₈	5 ¹ / ₂	3 ¹¹ / ₃₂	5 ⁵ / ₈	1 ⁵ / ₃₂	3 ³ / ₄	3 ³ / ₁₆	3 ³ / ₃₂
25S	4 ³¹ / ₃₂	1 ³ / ₄	8 ¹⁵ / ₃₂	6 ⁷ / ₈	2 ³ / ₄	9 ¹ / ₁₆	6 ¹¹ / ₁₆	3 ³ / ₄	7 ⁷ / ₈	1 ¹⁹ / ₃₂	1	1 ¹ / ₄	1 ¹ / ₈
30S	5 ¹ / ₂	2 ⁵ / ₃₂	9 ⁷ / ₁₆	7 ⁷ / ₈	3 ⁵ / ₃₂	10 ¹ / ₄	7 ⁷ / ₈	4 ¹ / ₈	1	1 ¹⁹ / ₃₂	1 ¹ / ₄	1 ¹ / ₄	1 ¹ / ₈
35S	5 ²⁹ / ₃₂	2 ⁹ / ₁₆	10 ¹ / ₄	8 ⁹ / ₃₂	3 ³ / ₄	11 ¹⁹ / ₃₂	9 ¹ / ₁₆	4 ¹⁷ / ₃₂	1	1 ¹⁹ / ₃₂	1 ³ / ₈	5 ⁵ / ₁₆	5 ⁵ / ₃₂
40S	6 ¹ / ₂	2 ³ / ₄	11 ⁷ / ₃₂	9 ¹ / ₄	4 ¹ / ₈	12 ¹⁹ / ₃₂	9 ²⁷ / ₃₂	5 ⁵ / ₁₆	1 ⁵ / ₃₂	3 ³ / ₄	1 ⁹ / ₁₆	3 ³ / ₈	3 ³ / ₁₆
45S	7 ⁵ / ₃₂	2 ³ / ₄	12 ³ / ₈	10 ¹ / ₃₂	4 ¹¹ / ₃₂	13 ³ / ₄	10 ⁵ / ₈	5 ¹¹ / ₁₆	1 ⁹ / ₃₂	3 ³ / ₄	1 ³ / ₄	3 ³ / ₈	3 ³ / ₁₆
50S	7 ¹⁵ / ₁₆	3 ⁹ / ₃₂	13 ¹⁹ / ₃₂	11 ⁷ / ₃₂	4 ²³ / ₃₂	15 ¹¹ / ₃₂	11 ¹³ / ₁₆	6 ¹ / ₂	1 ³ / ₈	5 ⁵ / ₁₆	2	1 ¹ / ₂	1 ¹ / ₄
60S	8 ²⁷ / ₃₂	3 ⁹ / ₁₆	14 ¹⁵ / ₁₆	12 ¹⁹ / ₃₂	5 ¹ / ₈	16 ⁵ / ₃₂	12 ⁷ / ₃₂	7 ³ / ₃₂	1 ⁹ / ₁₆	5 ⁵ / ₁₆	2 ³ / ₈	5 ⁵ / ₈	5 ⁵ / ₁₆
65S	10 ⁵ / ₃₂	3 ³ / ₄	16 ³ / ₄	13 ¹⁹ / ₃₂	5 ²³ / ₃₂	17 ²³ / ₃₂	13 ³ / ₈	7 ⁷ / ₈	1 ³ / ₄	1 ¹ / ₈	2 ⁵ / ₈	5 ⁵ / ₈	5 ⁵ / ₁₆
75S	11 ⁵ / ₃₂	4 ¹ / ₃₂	18 ¹ / ₁₆	15 ⁵ / ₃₂	6 ¹ / ₂	19 ⁹ / ₁₆	14 ⁹ / ₁₆	8 ²¹ / ₃₂	1 ³ / ₄	1 ¹ / ₈	3	3 ³ / ₄	3 ³ / ₈

For H₁ dimension consult Hampton PT.

Double reduction (D) and quadruple Reduction (DD) Common Dimensions

Frame	B	C	CA	CB	CE	BA	BB	H	h	d	D	N	P
30D	5 ¹ / ₂	2 ⁵ / ₃₂	7 ¹ / ₁₆	6 ¹ / ₂	2 ¹⁵ / ₁₆	8 ⁹ / ₃₂	6 ⁵ / ₁₆	4 ¹⁷ / ₃₂	5 ⁵ / ₈	1 ⁵ / ₃₂	1 ¹ / ₄	1 ¹ / ₄	1 ¹ / ₈
35D	6 ¹ / ₂	2 ⁹ / ₁₆	9 ¹ / ₁₆	7 ¹⁵ / ₃₂	3 ¹⁷ / ₃₂	9 ⁷ / ₁₆	7 ³ / ₃₂	5 ⁵ / ₁₆	7 ⁷ / ₈	1 ¹⁹ / ₃₂	1 ³ / ₈	5 ⁵ / ₁₆	5 ⁵ / ₃₂
45D	7 ¹⁵ / ₃₂	2 ³ / ₄	10 ⁷ / ₁₆	8 ²⁷ / ₃₂	3 ³ / ₄	10 ¹³ / ₁₆	8 ¹⁵ / ₃₂	6 ³ / ₃₂	3 ¹ / ₃₂	1 ¹⁹ / ₃₂	1 ³ / ₄	3 ³ / ₈	3 ³ / ₁₆
50D	8 ⁹ / ₃₂	3 ⁵ / ₃₂	11 ⁵ / ₈	9 ²¹ / ₃₂	4 ¹¹ / ₃₂	12 ⁷ / ₃₂	9 ⁷ / ₁₆	7 ³ / ₃₂	1 ¹³ / ₁₆	3 ³ / ₄	2	1 ¹ / ₂	1 ¹ / ₄
55D	9 ⁷ / ₁₆	3 ¹ / ₃₂	13 ³ / ₈	11 ¹³ / ₃₂	4 ¹⁷ / ₃₂	13 ²⁵ / ₃₂	10 ⁵ / ₈	8 ¹ / ₁₆	1 ¹³ / ₁₆	3 ³ / ₄	2 ¹ / ₄	1 ¹ / ₂	1 ¹ / ₄
65D	10 ⁷ / ₁₆	3 ³ / ₄	14 ¹⁵ / ₁₆	12 ¹⁹ / ₃₂	5 ¹ / ₈	15 ¹ / ₃₂	11 ¹³ / ₁₆	9 ¹ / ₁₆	1 ³ / ₈	1 ⁵ / ₁₆	2 ³ / ₈	5 ⁵ / ₈	5 ⁵ / ₁₆
75D	11 ¹³ / ₃₂	4 ¹ / ₃₂	16 ¹⁷ / ₃₂	14 ⁵ / ₃₂	5 ²⁹ / ₃₂	17 ⁵ / ₁₆	13 ³ / ₈	10 ¹ / ₄	1 ⁹ / ₁₆	1 ⁵ / ₁₆	3	3 ³ / ₄	3 ³ / ₈
80D	13 ³ / ₁₆	4 ¹⁵ / ₁₆	18 ¹ / ₁₆	15 ⁹ / ₁₆	6 ¹¹ / ₁₆	19 ⁵ / ₁₆	14 ¹⁵ / ₁₆	11 ⁵ / ₈	1 ²⁵ / ₃₂	1 ¹ / ₈	3 ¹ / ₄	3 ³ / ₄	3 ³ / ₈
90D	14 ³ / ₈	5 ¹ / ₁₆	20 ⁷ / ₈	17 ²³ / ₃₂	7 ¹⁵ / ₃₂	21 ¹ / ₄	16 ¹⁷ / ₃₂	12 ¹³ / ₁₆	1 ²⁵ / ₃₂	1 ¹ / ₈	3 ¹ / ₂	7 ⁷ / ₈	7 ⁷ / ₁₆
100D	15 ¹⁵ / ₁₆	6 ¹ / ₂	23 ³ / ₈	19 ¹ / ₁₆	8 ¹⁵ / ₃₂	23 ³ / ₈	18 ¹ / ₂	14 ⁹ / ₁₆	2 ⁵ / ₃₂	1 ³ / ₈	3 ³ / ₈	1	1 ¹ / ₂

Quadruple Reduction (DD)

Frame	ML ₁	F	TL	TH2	Wt. (lb.)
143-30-45DD	11	8	27 ¹ / ₃₂	11 ³¹ / ₃₂	173
143-30-50DD	11	8	27 ¹ / ₄	13 ²⁹ / ₃₂	212
143-30-55DD	11	8	29 ¹⁹ / ₃₂	15 ¹⁵ / ₃₂	257
145-35-50DD	11 ³¹ / ₃₂	8	29 ²¹ / ₃₂	13 ²⁹ / ₃₂	243
145-35-55DD	11 ³¹ / ₃₂	8	31 ¹⁹ / ₃₂	15 ¹⁵ / ₃₂	305
145-35-65DD	11 ³¹ / ₃₂	8	33	16 ³¹ / ₃₂	367
145-35-75DD	11 ³¹ / ₃₂	8	34 ³ / ₄	19 ³ / ₃₂	436
182-35-55DD	12 ¹⁵ / ₁₆	9 ¹ / ₂	33 ⁵ / ₃₂	15 ¹⁵ / ₃₂	342
182-35-65DD	12 ¹⁵ / ₁₆	9 ¹ / ₂	34 ⁹ / ₁₆	16 ³¹ / ₃₂	415
182-35-75DD	12 ¹⁵ / ₁₆	9 ¹ / ₂	36 ⁵ / ₁₆	19 ³ / ₃₂	498
182-35-80DD	12 ¹⁵ / ₁₆	9 ¹ / ₂	38 ¹¹ / ₁₆	20 ⁷ / ₈	602
184-45-65DD	14 ³ / ₃₂	9 ¹ / ₂	36 ²⁹ / ₃₂	16 ³¹ / ₃₂	446
184-45-75DD	14 ³ / ₃₂	9 ¹ / ₂	38 ¹⁷ / ₃₂	19 ³ / ₃₂	530
184-45-80DD	14 ³ / ₃₂	9 ¹ / ₂	40 ²³ / ₃₂	20 ⁷ / ₈	651
184-45-90DD	14 ³ / ₃₂	9 ¹ / ₂	42 ²¹ / ₃₂	23 ¹ / ₁₆	806
213-50-75DD	18 ³ / ₃₂	11 ³ / ₁₆	43 ¹ / ₂	19 ⁹ / ₃₂	598
213-50-80DD	18 ³ / ₃₂	11 ³ / ₁₆	45 ¹¹ / ₁₆	20 ⁷ / ₈	691
213-50-90DD	18 ³ / ₃₂	11 ³ / ₁₆	47 ²⁷ / ₃₂	23 ¹ / ₁₆	806
213-50-100DD	18 ³ / ₃₂	11 ³ / ₁₆	50 ⁵ / ₃₂	26 ⁹ / ₁₆	1011
215-55-90DD	18 ³ / ₃₂	11 ³ / ₁₆	48 ⁷ / ₈	23 ¹ / ₁₆	874
215-55-100DD	18 ³ / ₃₂	11 ³ / ₁₆	51 ¹ / ₃₂	26 ⁹ / ₁₆	933
254-65-100DD	24 ⁹ / ₁₆	14 ⁹ / ₁₆	58 ¹ / ₁₆	26 ⁹ / ₁₆	1292

1 Excludes motor mounting ring.

2 If total height is critical, lifting eyebolt can be removed. See table on page 12.

Consult Hampton PT for sizes above 100D/100DD.